



Rutherford County Fire-Rescue Department
Division of Fire Prevention - Fire Marshal's Office
2785 Barfield Road
Murfreesboro, Tennessee 37128
(615) 907-3600 Ext. 1



FIRE CODE BULLETIN: KNOX BOX REQUIREMENTS

Scope and Purpose

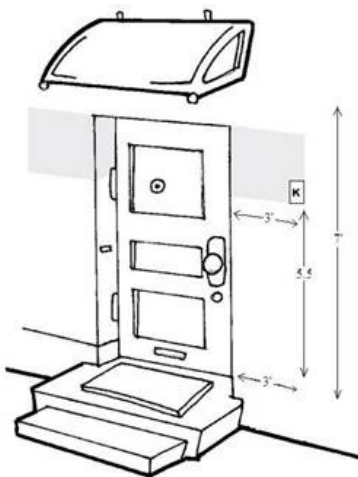
A Knox Box is required on all commercial buildings and tenant spaces in Rutherford County. When access to a building or area is necessary for lifesaving or firefighting purposes or for access to fire protection equipment, a Knox Box will be required as designated by the Fire Marshal.

All occupancies and tenant spaces that have a fire sprinklers system, fire alarm system, special hazards, hazardous materials or high piled storage are required to have a Knox Box. The size of the key box shall be determined by the type of occupancy and hazards present.

Installation Requirements

Knox Boxes must be installed within three feet horizontally of the principle entrance door of the building or within three feet horizontally of another entrance to the building which is acceptable to the Fire Marshal's Office. Boxes shall be installed no less than 5.5 feet vertically from the threshold of the door and no more than seven feet vertically from the threshold of the door. However, the preference of the Fire Department is that Knox boxes be installed at the 5.5 foot level. Key boxes must be installed on the side of the building facing the street of address unless the Fire Department has approved another location.

A Knox Box may be installed anywhere in the gray shaded area only:



Ordering Instructions

Knox Boxes and other required Knox products may be ordered directly from the Knox Company at www.knoxbox.com. During the ordering process you will be prompted to select the Fire Department that services the physical address where the box will be installed. For installations in unincorporated Rutherford County please specify **“Rutherford Co Fire Rescue”** when prompted.

Questions

For questions regarding the requirements or installation of Knox Boxes, please contact the Rutherford County Fire Marshal’s Office at (615) 907-3600 ext. 1.